

# METAL TOOTH TIES

## SLM 01 METAL TOOTH TIES

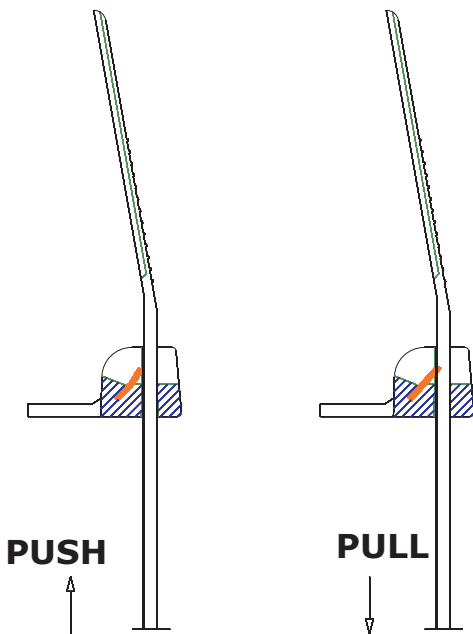


- Material : Nylon 66 (PA - 66) , UL 94 V-2
- Operating Temperature : - 40°C To 85°C
- Colour : Natural / Black (other colours against specific requirement)
- Feature : \* The corrosion proof, Non magnetic Steel Tooth firmly anchor inside the Cable Tie length (Body) with positive locking  
\* No chance of slippage in adverse conditions
- Application : For durable locking in the adverse conditions like humidity, heat, cold, vibration and external shocks
- Metal Tooth Ties other than Natural can be order as follows:

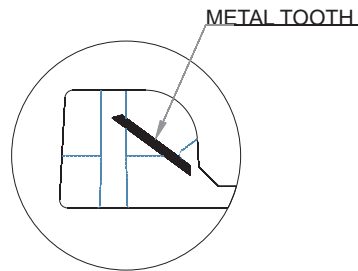
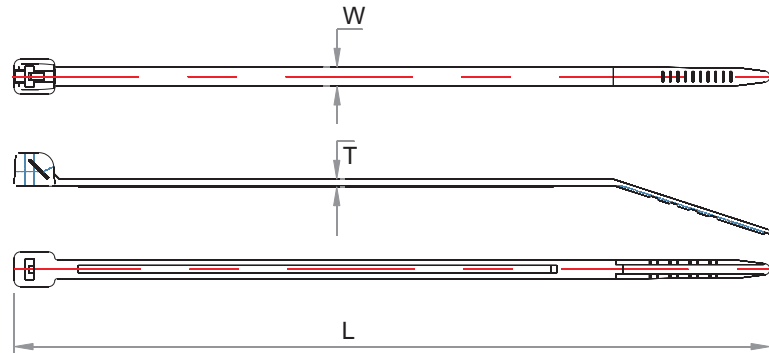


To Order Ties	Add Suffix To the Cat No.	Example
Black	/B	SLM-100/B
Coloured	/Colour Name	SLM-100/RED
U.V. Stabilised (Outdoor application)	/U	SLM-100/U
Heat Stabilised	/H	SLM-100/H
Flame Retardent	/F	SLM-100/F

- Packing : Also available 1000 Pcs./ Bag for SLM-100 To SLM-200I
- To order 1000 Pcs Pkg. Add suffix 'K' after the Cat. No. Example: SLM-100 K



Metal Tooth Function

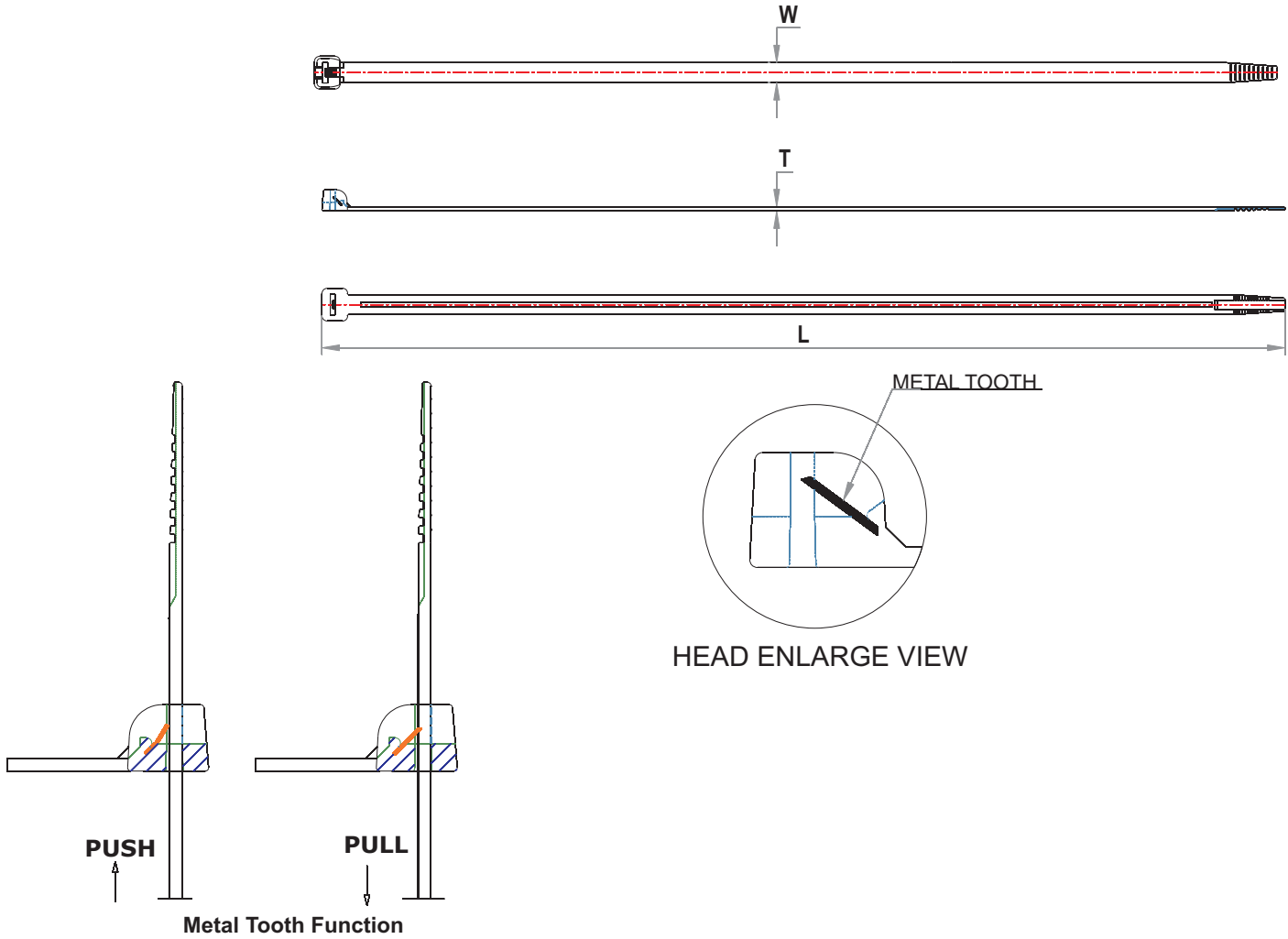


HEAD ENLARGE VIEW

Cat No.	L Length mm	W Width mm	T Thickness mm	L Length inch	Type	Maximum Bundle Dia mm (Inch.)	Tensile Strength Kgs. (Lbs.)	Std. Qty./ Bag
SLM 100	100	2.5	1	4	Miniature	24 (0.95)	8 (18)	100 Pcs.
SLM 200	200	2.5	1	8		53 (2.09)		
SLM 150I	150	3.6	1.1	6	Intermediate	35 (1.38)	18 (40)	
SLM 200I	200	3.6	1.1	8		53 (2.09)		
SLM 280I	280	3.6	1.1	11		80 (3.15)		
SLM 200S	200	4.8	1.1	8	Standard	53 (2.09)	22 (50)	
SLM 290S	290	4.8	1.1	11.4		78 (3.07)		
SLM 360S	360	4.8	1.1	14.2		102 (4.01)		

# METAL TOOTH TIES

## SLM 01 METAL TOOTH TIES



Cat No.	L Length mm	W Width mm	T Thickness mm	L Length inch	Type	Maximum Bundle Dia mm (Inch.)	Tensile Strength Kgs. (Lbs.)	Std. Qty./ Bag
SLM 220H	220	7.6	1.6	8.6	Heavy Duty	53 (2.09)	55 (120)	100 Pcs.
SLM 300H	300	7.6	1.6	11.8		80 (3.15)		
SLM 368H	368	7.6	1.6	14.5		102 (4.01)		
SLM 538H	538	7.6	1.6	21.2		160 (6.30)		
SLM 780H	780	7.6	1.6	30.7		230 (9.05)		