

# POLE MOUNTING BOX & JUNCTION BOX ( FIBER GLASS )

## BP01 POLE MOUNTING BOX (DMC/SMC)



BPD - 2  
BWD - 2

BPD - 3  
BWD - 3

BPD - 1  
BWD - 1

### General Specs.: -

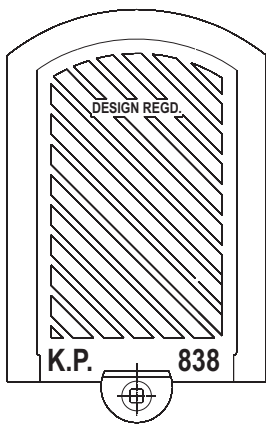
- **Material** : DMC (Thermoset Plastic) & SMC (Sheet Moulding Compound)
- **Operating Temp.:** - 40°C To 100°C
- **Application** : Suitable for Indoor, Outdoor and Multipurpose uses
- **Unique Features** :
  - \* Vertical Sliding Cover replaces hinged door and gasketing system, leaving no chance of water leakage
  - \* In - built Terminals suitable for four core cable
  - \* Sufficient space for Fuse & circuitbreaker
  - \* Sufficient Space for separating four core and Loop - in / Loop - out of the cable core
  - \* Two Cable Entry and extra space for Third entry
  - \* Cover locking with Square Head Stud
  - \* Shock - proof & rust - proof
  - \* High Heat distortion temperature
  - \* Elegant appearance
  - \* Zero resale value and hence no chance of theft

Cat No.	Inside Dimn.			Outside Dimn.		
	L1 Length mm	W1 Width mm	H1 Height mm	L Length mm	W Width mm	H Height mm
BPD-1	160	97.5	60.5	178.5	118	65.5
BPD-2	205	154	75	222.5	178	80
BPD-3	280	206	96	305	237	103
BPD-4	335	153	128	364	172	132

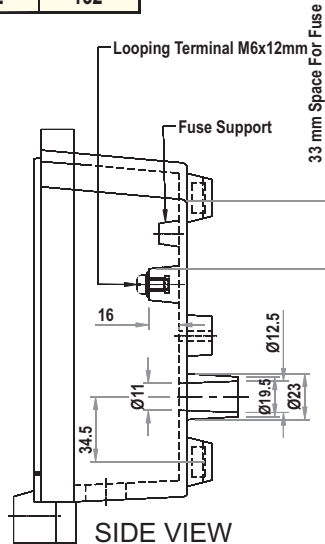
• **Approval** : PWD Approved, As per IS-11000-85 IS/ IEC-60947-1:2004 (IP-54 PROTECTED)

### • Mounting arrangement :

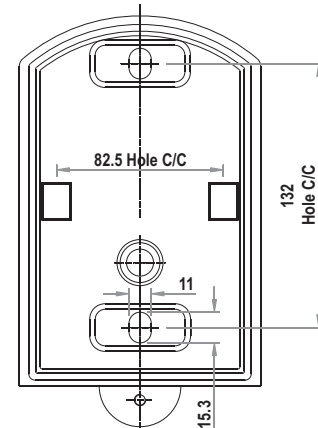
- \* **On Pole** : Directly on Pole with two bolts and alternative clamping arrangement alongwith projected bush with hole for outgoing wire
- \* **On Wall** : Back side of the box is plain without any projection which allows it to mount on wall or any such plain surfaces



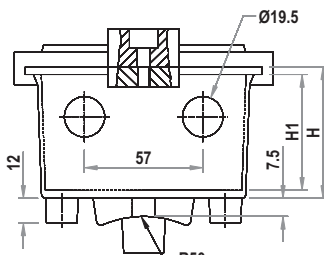
FRONT VIEW



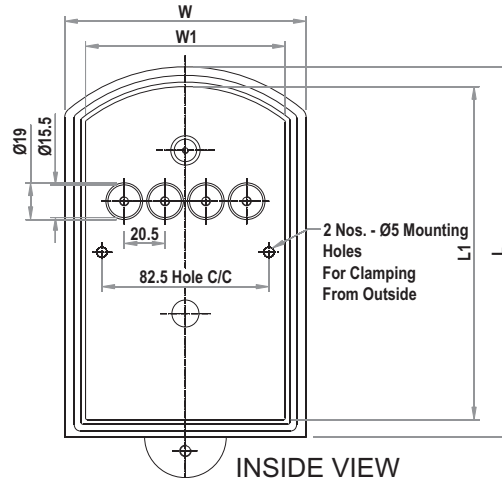
SIDE VIEW



BACK SIDE VIEW



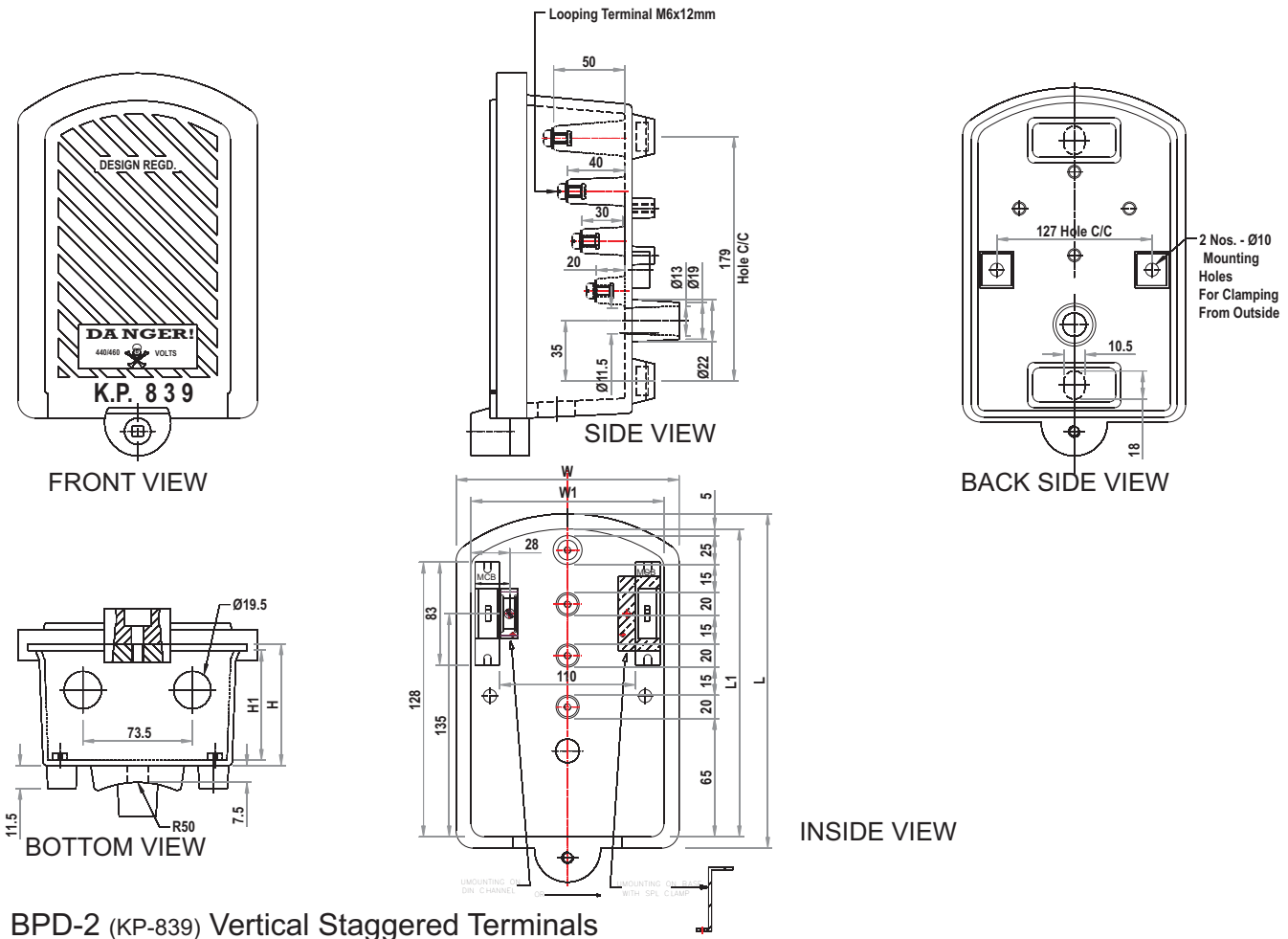
BOTTOM VIEW



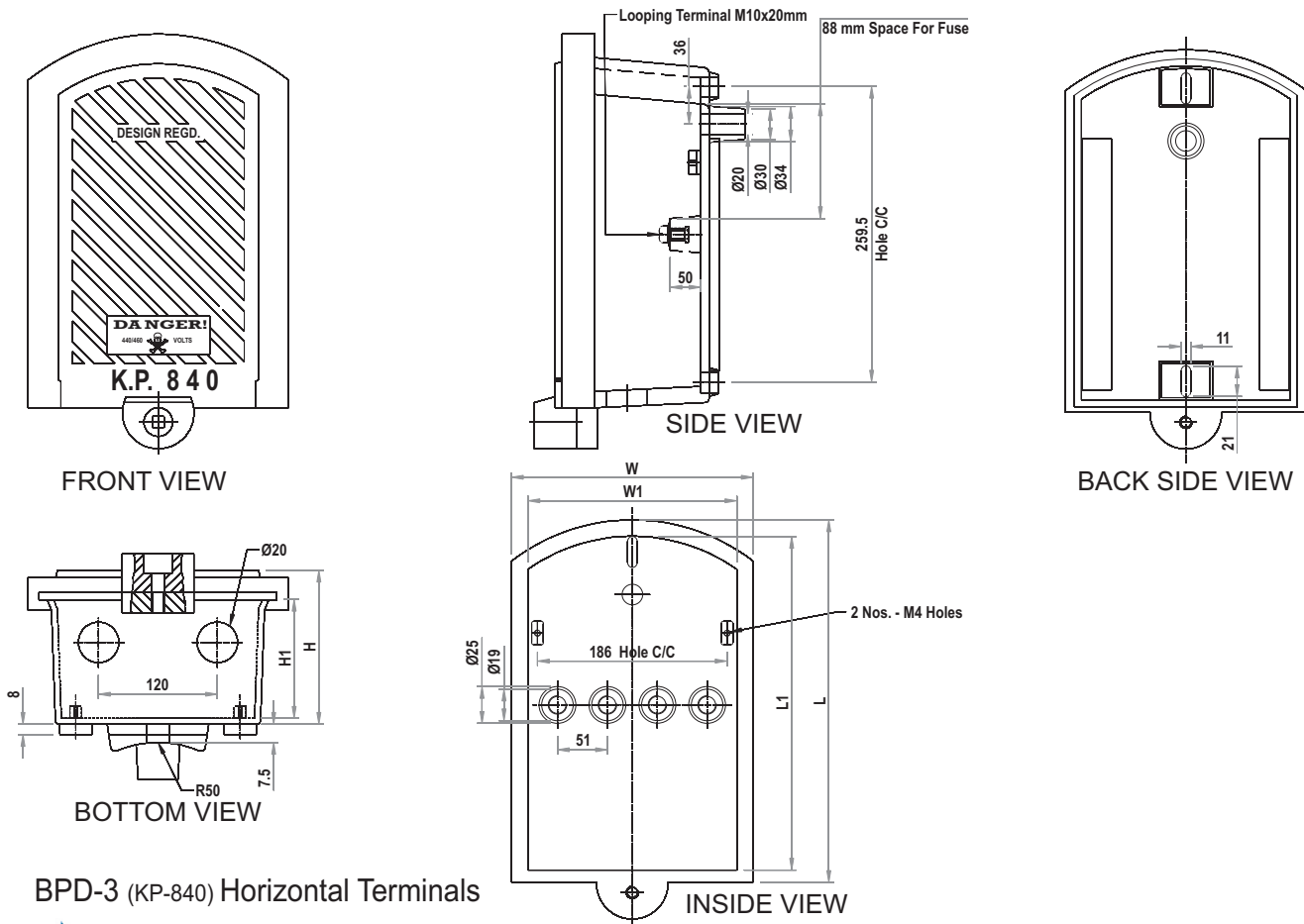
INSIDE VIEW

BPD-1 (KP-838) Horizontal Terminals

# POLE MOUNTING BOX & JUNCTION BOX ( FIBER GLASS )

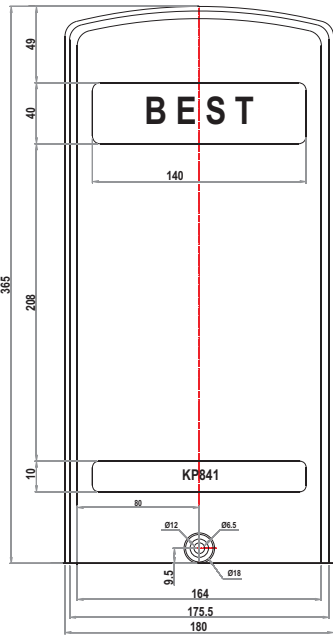


BPD-2 (KP-839) Vertical Staggered Terminals

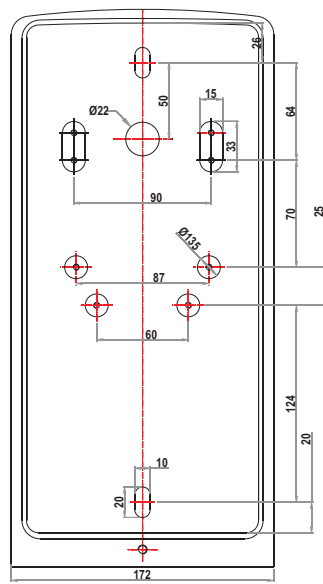


BPD-3 (KP-840) Horizontal Terminals

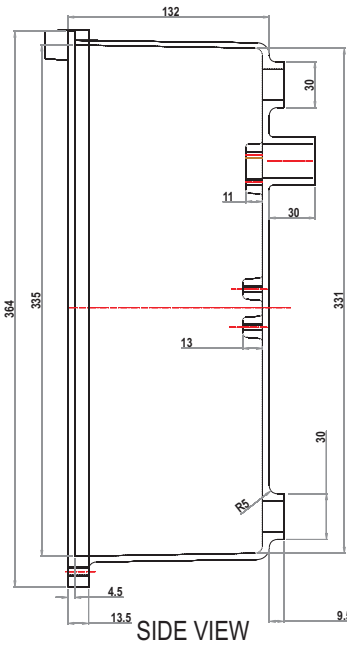
# POLE MOUNTING BOX & JUNCTION BOX ( FIBER GLASS )



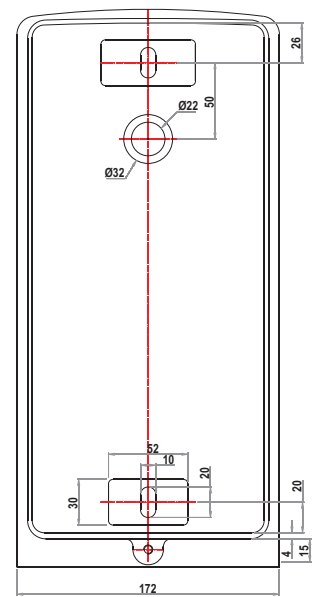
FRONT VIEW



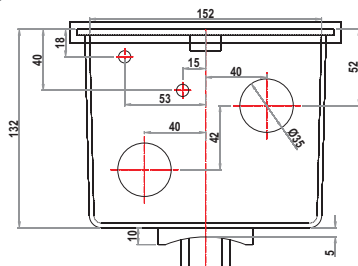
INSIDE VIEW



SIDE VIEW



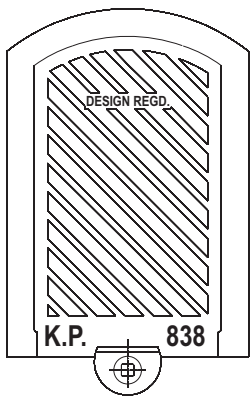
BACK SIDE VIEW



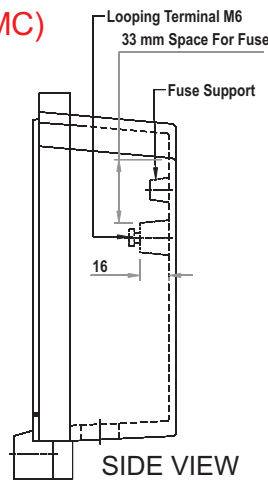
BOTTOM VIEW

BPD-4 (KP-841)

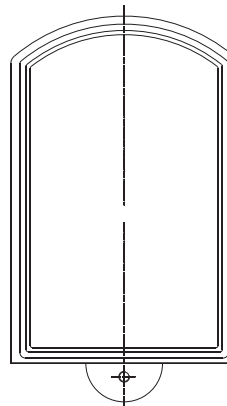
## BP02 WALL MOUNTING BOX (DMC)



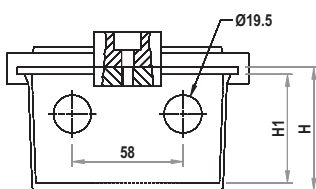
FRONT VIEW



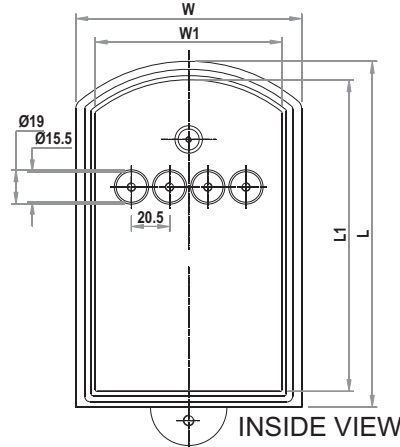
SIDE VIEW



BACK SIDE VIEW



BOTTOM VIEW



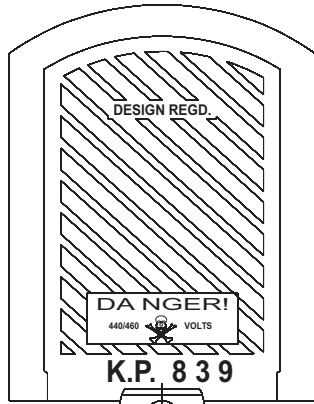
INSIDE VIEW

BWD-1 (KP-838)

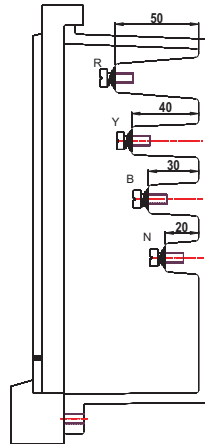
Cat No.	Inside Dimn.			Outside Dimn.		
	L1 Length mm	W1 Width mm	H1 Height mm	L Length mm	W Width mm	H Height mm
BWD-1	160	97.5	60.5	178.5	118	65.5
BWD-2	205	154	75	222.5	178	80
BWD-3	280	206	96	305	237	103

# POLE MOUNTING BOX & JUNCTION BOX ( FIBER GLASS )

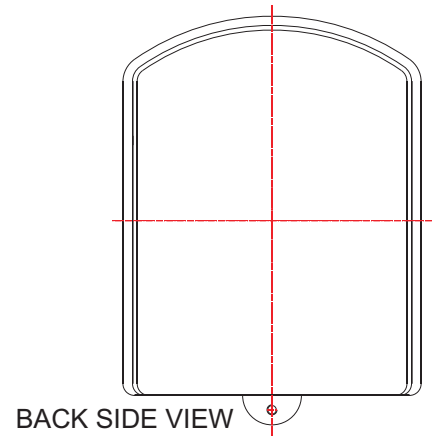
## BP02 WALL MOUNTING BOX (DMC)



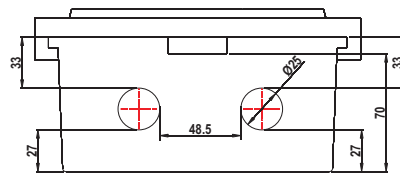
FRONT VIEW



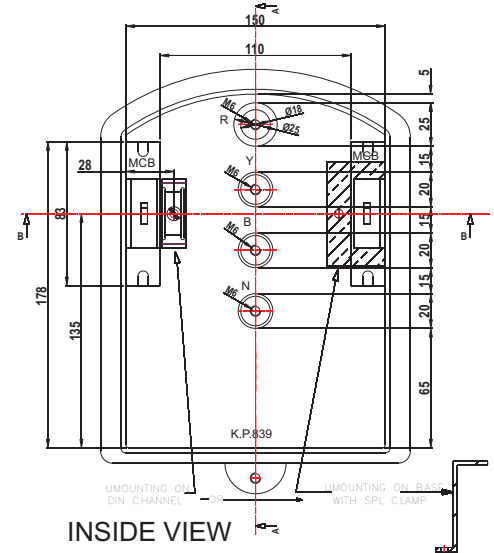
SIDE VIEW



BACK SIDE VIEW



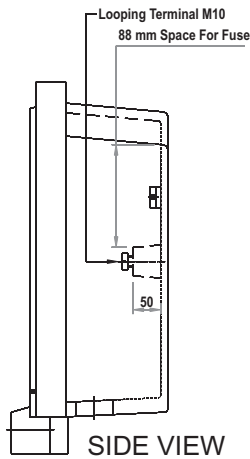
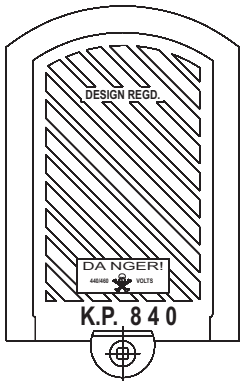
BOTTOM VIEW



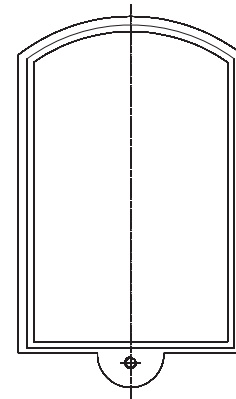
INSIDE VIEW

## BWD-2 (KP-839)

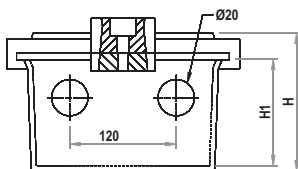
FRONT VIEW



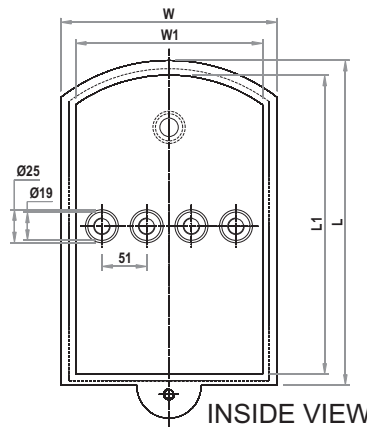
SIDE VIEW



BACK SIDE VIEW



BOTTOM VIEW

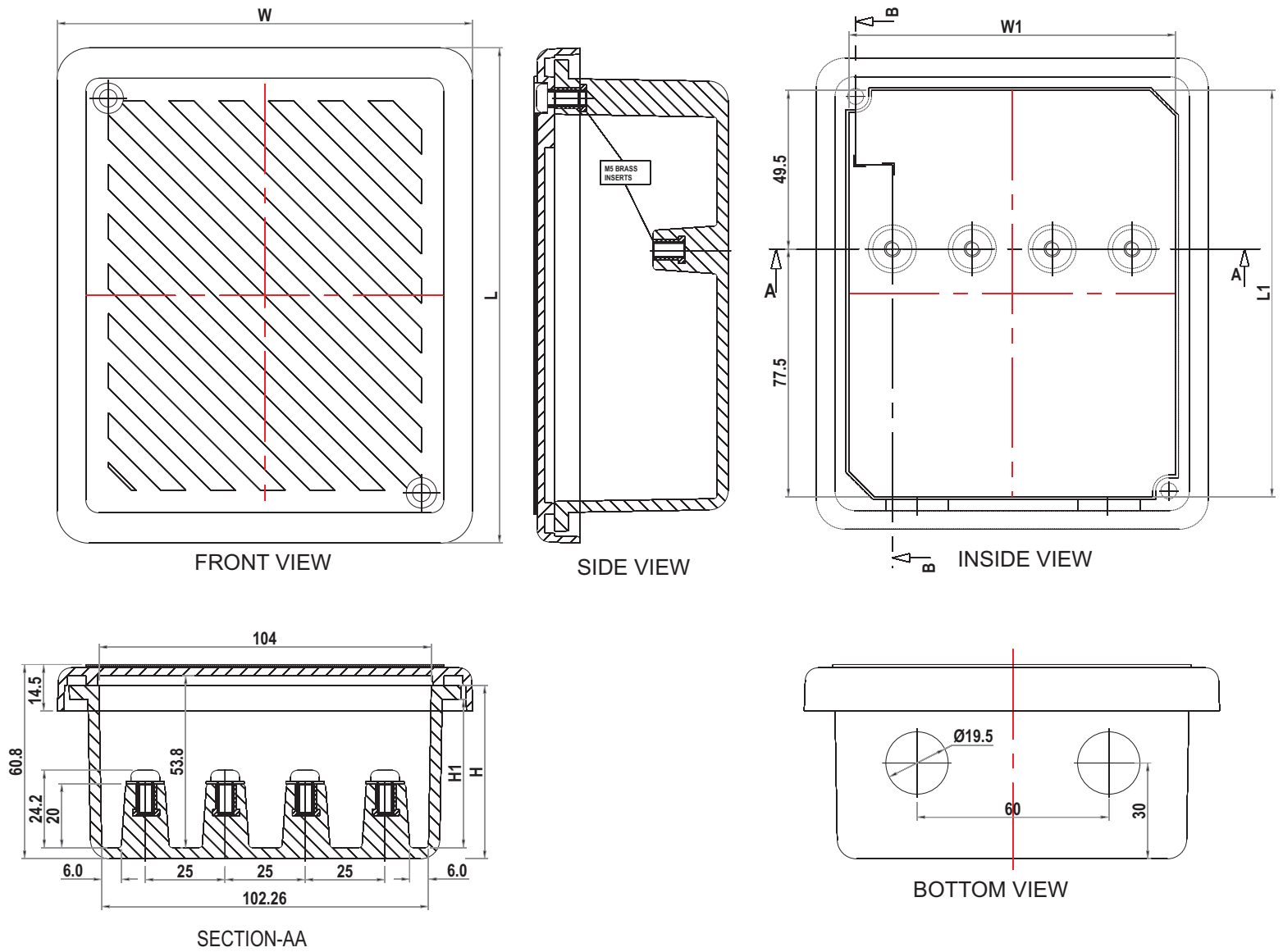


INSIDE VIEW

## BWD-3 (KP-840)

# POLE MOUNTING BOX & JUNCTION BOX ( FIBER GLASS )

## BP03 JUNCTION BOX WITH TERMINAL (DMC)



Cat No.	Inside Dimn.			Outside Dimn.		
	L1 Length mm	W1 Width mm	H1 Height mm	L Length mm	W Width mm	H Height mm
BJD-1	127.2	102.3	46.5	155	130	54.3